

FACADE ACCESS



[SAYFAGROUP.CO.UK](http://SAYFAGROUP.CO.UK)

**SAYFA** 

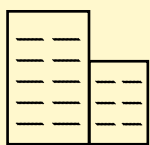
EDGESEIL™

ABSEIL POST SYSTEM

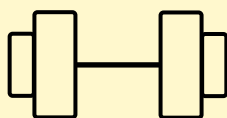
# ERGONOMIC DURABLE & FLEXIBLE SYSTEM

The Working At Height 2005 Act necessitates a safe system of work at height for maintenance of all buildings. Abseil systems are now an essential solution for Cleaning & Maintenance Strategies. Sayfa offer a range of facade access solutions.

Sayfa EdgeSeil™ Post (patent pending) is designed for facade access, lifting and lowering personnel and complies with EN795:2012, PD CEN/TS 16415 and BS8610:2017.



PART OF A FULL  
ABSEIL PRODUCT  
FAMILY



HIGH STRENGTH  
LONG LIFE  
MATERIALS



THIRD PARTY  
APPROVED AND  
TESTED



500 - 3000MM CENTRES  
SINGLES & TWIN USER



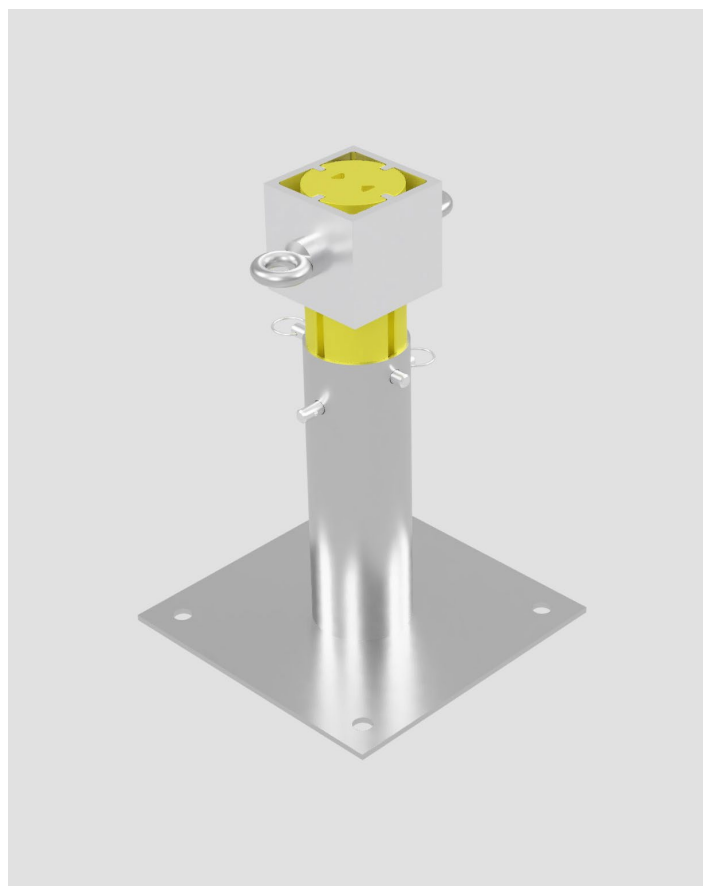
250MM - 550MM



SAFER ROPE DEVIATION



VARIOUS BASE OPTIONS FOR  
EACH APPLICATION



## PRODUCT INFORMATION

The Sayfa Edgeseil™ Davit is manufactured from 6082-T6 structural aluminium.

Single tie systems are provided with an integral EN795:2012 eye bolt.

Twin tie off is provided with a stainless steel intermediate plate and two EN795:2012 eye bolts.

Both options are two user rated to withstand 21kN.

The post is polyester powder coated safety yellow as standard although can be supplied in any RAL colour or anodised.

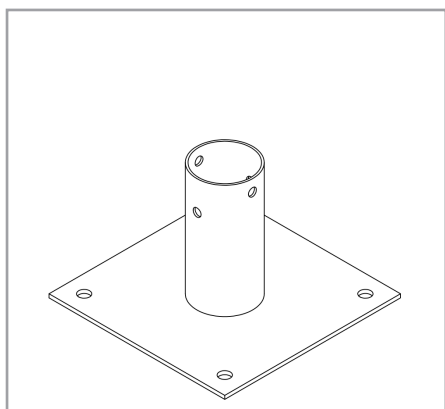
Bases are provided 200mm, 300mm or 450mm high.

Sayfa EdgeSeil™ post is independently tested and certified by SATRA.

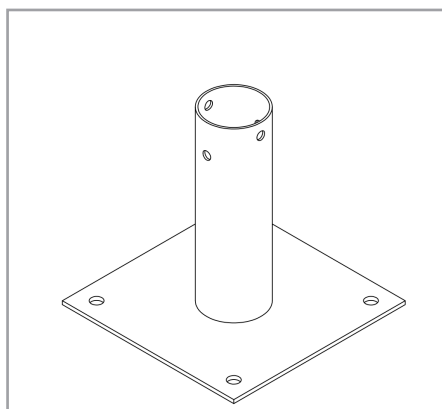
Technical Data Sheets, CAWS Format NBS specifications and level 2 BIM files are all available.

Depending on specification, service life varies between 20 & 60 years, with warranties between 10 & 30 years.

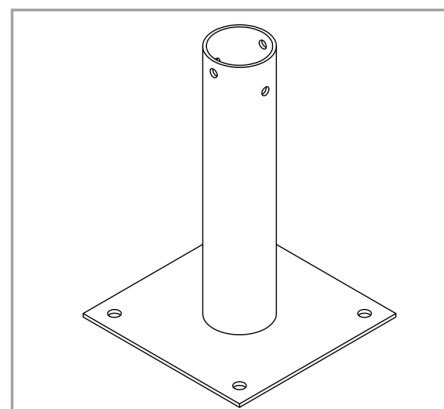
## ABSEIL POST BASES



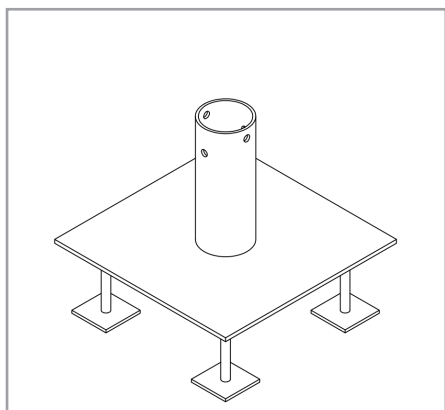
ABS-0300-0200



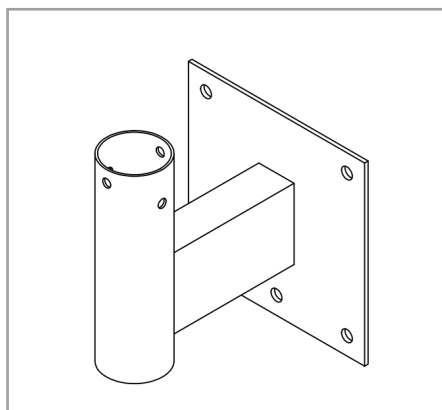
ABS-0300-0300



ABS-0300-0450



ABS | CAST-IN



ABW-300-0120

The range is available in post manufacture galvnaised structural mild steel, 304 or 316 grade stainless steel. Fixing arrangements depend on the base but are typically 4 or 5 no. M16 A4 grade.





*“Sayfa provided a professional service from initial design to final commissioning. Their experience and product range along with the commitment of the site team was key to the successful delivery of the project.”*

Design Manager, City Gate House

## DESIGN & INSPECTION

Design of Roof Safety and Facade Access systems should be in accordance with BS7883:2019.

Sayfa Group products and services are compliant to all current standards.

The ongoing use of these systems is subject to legislation that applies to the building owner or tenant. Operations and Lifting Equipment Regulations 1998 and The Provision and Use of Work Equipment Regulations 1998 apply.

All inspections of personal protective equipment should be in accordance with BS EN364:1993 and BS EN354:2010.

Please contact us for more information.



## GET IN TOUCH

SAYFAGROUP.CO.UK

ENQUIRIES@SAYFAGROUP.CO.UK

UNIT B1 - RESEARCH POINT  
SHEPSHED,  
LEICESTERSHIRE,  
LE12 9NH

+44 1509 509 273

