



FIRST ANGLE
PROJECTION

DIMENSIONS IN MM
DO NOT SCALE
IF IN DOUBT, ASK

TOLERANCES ON THIS DRAWING
UNLESS OTHERWISE STATED
NO DECIMAL PLACE +/- 0.25
ONE DECIMAL PLACE +/- 0.1
TWO DECIMAL PLACES +/- 0.05
ANGLES +/- 0.25°

- COMPARE PARTS WITH THIS DRAWING AND READ ALL INSTRUCTIONS BEFORE COMMENCING WORK.
- MAKE NO DEVIATION FROM THIS DRAWING WITHOUT CONSULTING SAYFA GROUP.

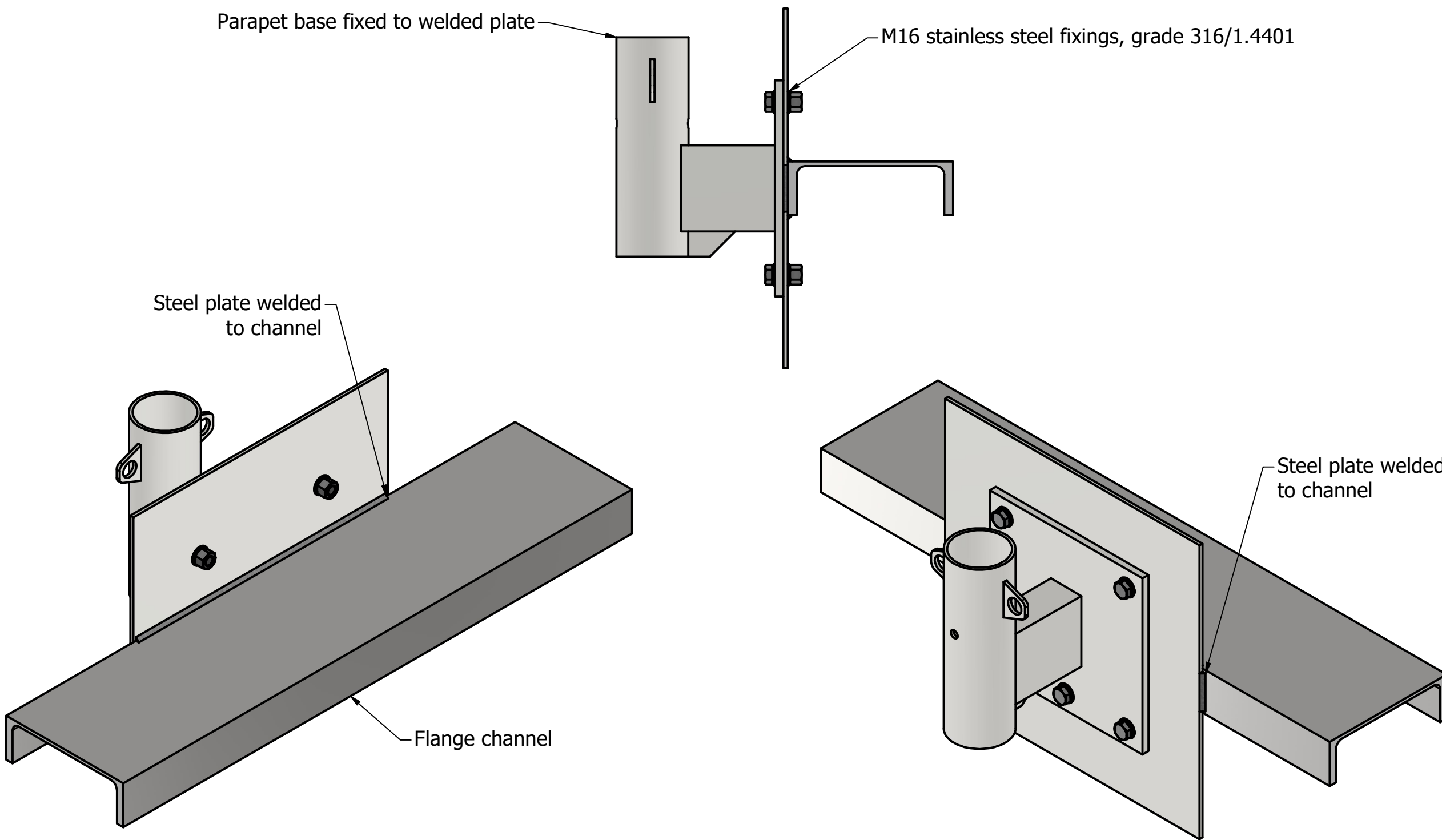
Parapet base fixed to welded plate

M16 stainless steel fixings, grade 316/1.4401

Steel plate welded to channel

Steel plate welded to channel

Flange channel



P1	Issued for comments	02/02/2023	S.A	T.K
REV	DESCRIPTION	DATE	DESIGNER	CHECKED BY

REVISION HISTORY

STATUS:

Approved

CLIENT:

Sayfa

PROJECT TITLE:

DRAWING TITLE:

Indicative steel-fixing detail,

Released By:

- S4 Issue Status not to be given without digital or wet signature by an approved officer of the company covered under the insurance.
- Project not to proceed without Status A from the Client.

Scale @ A3: 1:6	Date: 02/02/2023	Drawn By: S.A	Checked By: T.K
--------------------	---------------------	------------------	--------------------

Drawing No:	Revision: P1
-------------	-----------------

Steelwork, fixings and concrete requirements to be calculated by structural engineers or system designers.