



FIRST ANGLE  
PROJECTION

DIMENSIONS IN MM

DO NOT SCALE

IF IN DOUBT, ASK

TOLERANCES ON THIS DRAWING  
UNLESS OTHERWISE STATED  
NO DECIMAL PLACE +/- 0.25  
ONE DECIMAL PLACE +/- 0.1  
TWO DECIMAL PLACES +/- 0.05  
ANGLES +/- 0.25°

- COMPARE PARTS WITH THIS DRAWING AND READ ALL INSTRUCTIONS BEFORE COMMENCING WORK.
- MAKE NO DEVIATION FROM THIS DRAWING WITHOUT CONSULTING SAYFA GROUP.

P1	Issued for comments	01/02/2023	S.A	T.K
REV	DESCRIPTION	DATE	DESIGNER	CHECKED BY

REVISION HISTORY

STATUS:

Approved

CLIENT:

Sayfa

PROJECT TITLE:

DRAWING TITLE:

Cast-in indicative embedment detail

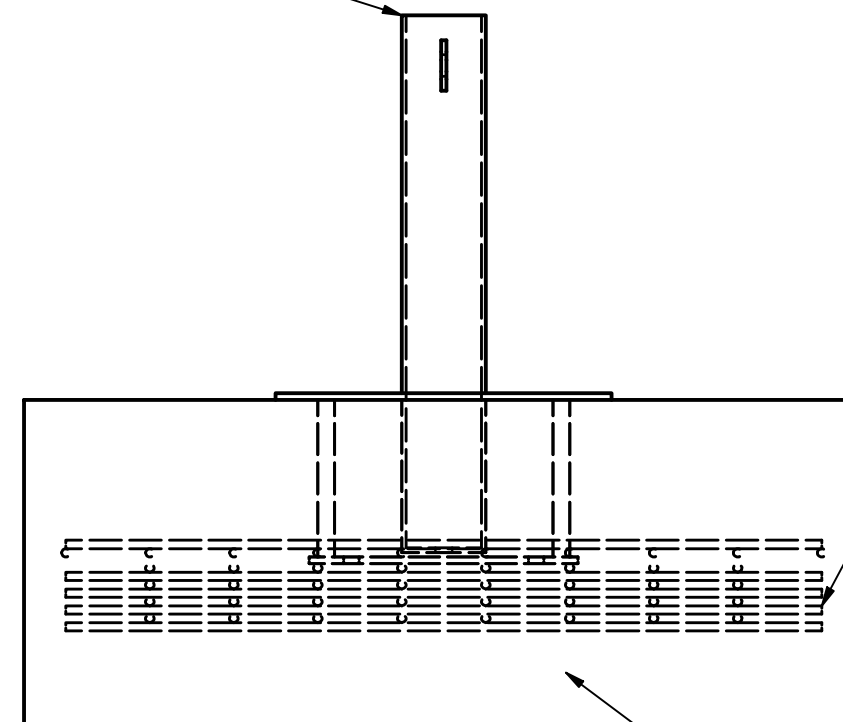
Released By:

- S4 Issue Status not to be given without digital or wet signature by an approved officer of the company covered under the insurance.
- Project not to proceed without Status A from the Client.

Scale @ A3: 1:9	Date: 01/02/2023	Drawn By: S.A	Checked By: T.K
--------------------	---------------------	------------------	--------------------

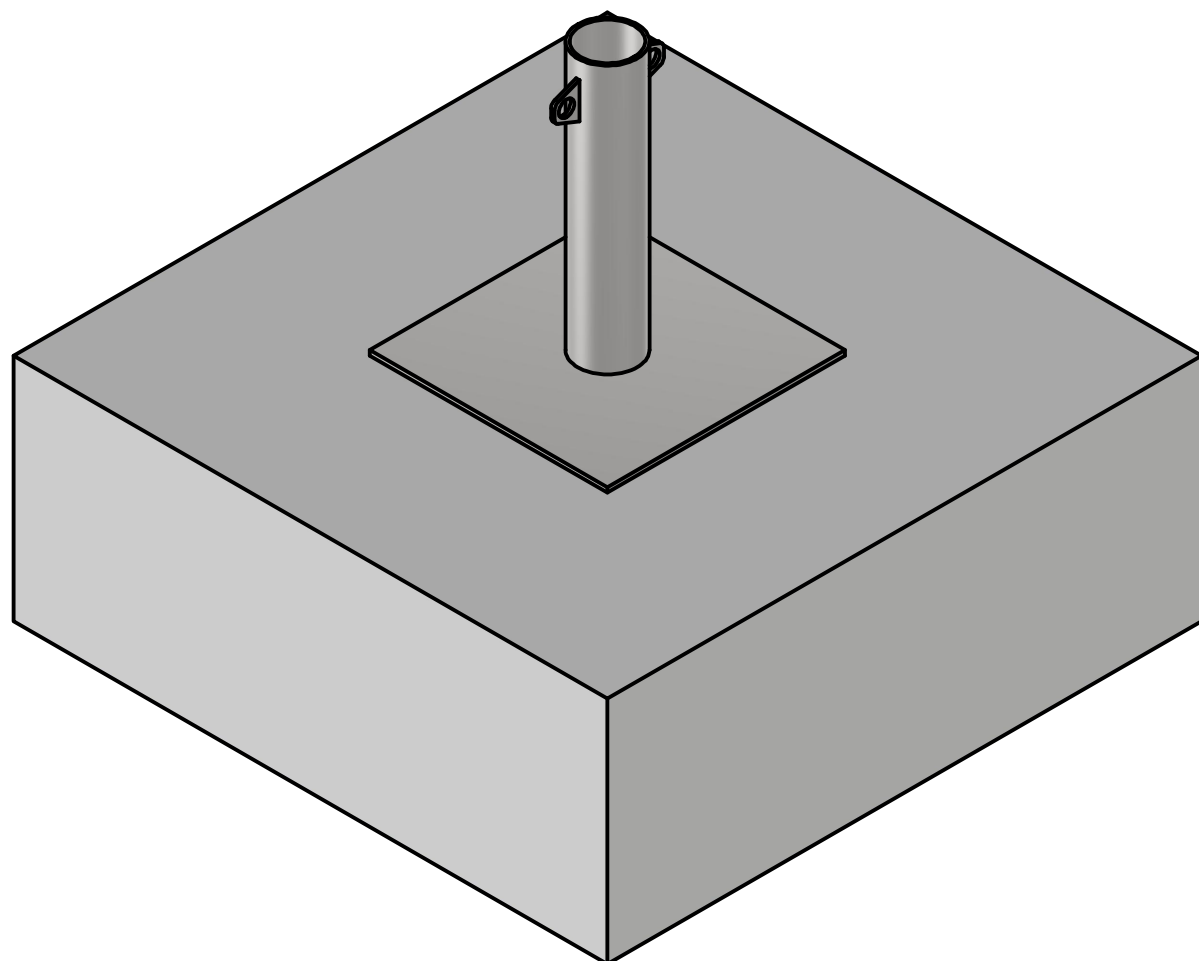
Drawing No:	Revision: P1
-------------	-----------------

Cast-in base



Rebar

Concrete



Steelwork, fixings and concrete requirements to be calculated by structural engineers or system designers.