

FACADE ACCESS



SAYFAGROUP.CO.UK

SAYFA 

EDGEREIL™

A FRAME TRACK DAVIT

DAVIT TRACK SYSTEM FOR FACADE ACCESS AND HEIGHT SAFETY

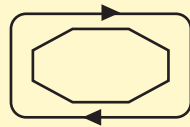
The EdgeReil™ A Frame Track Davit (patent pending) is an evolution of a socketed Davit solution for abseiling. It allows the users continuous horizontal and vertical access across the building facade.

An A Frame introduces a compressive load scenario, which reduces the turning moment significantly.

The product is suitable for personnel and materials, lifting and lowering. SATRA tested to BS8610:2017 and with a safe working load of 600kg.

20x

FASTER TO
OPERATE THAN
POSTS OR SOCKETS



CONTINUOUS
VERTICAL AND
HORIZONTAL ACCESS



THIRD PARTY
APPROVED AND
TESTED



2 USER TESTED - 21kN
RATED



SAFER ROPE DEVIATION



REDUCED FORCES TO THE
ROOF



FLEXIBLE DESIGN TO SUIT
ANY BUILDING LAYOUT



CONTINUOUS SYSTEM



30 YEAR WARRANTY
AVAILABLE WITH SAYFA+



PRODUCT INFORMATION

The EdgeReil™ A Frame system is a combined track and davit product manufactured from interlocking structural aluminium sections with connecting 316 stainless steel bearing based travellers.

With options to 'free wheel' or manually position the the design loads to substructure associated with conventional davits but still provides the parapet clearances to prevent the need to include

service or factored load requirements in the design.

EdgeReil™ is typically supplied to project specific requirements and pre-assembled for quick and easy installation on site.

The EdgeReil™ Davit shoulder enabling a zero visual impact from ground level.

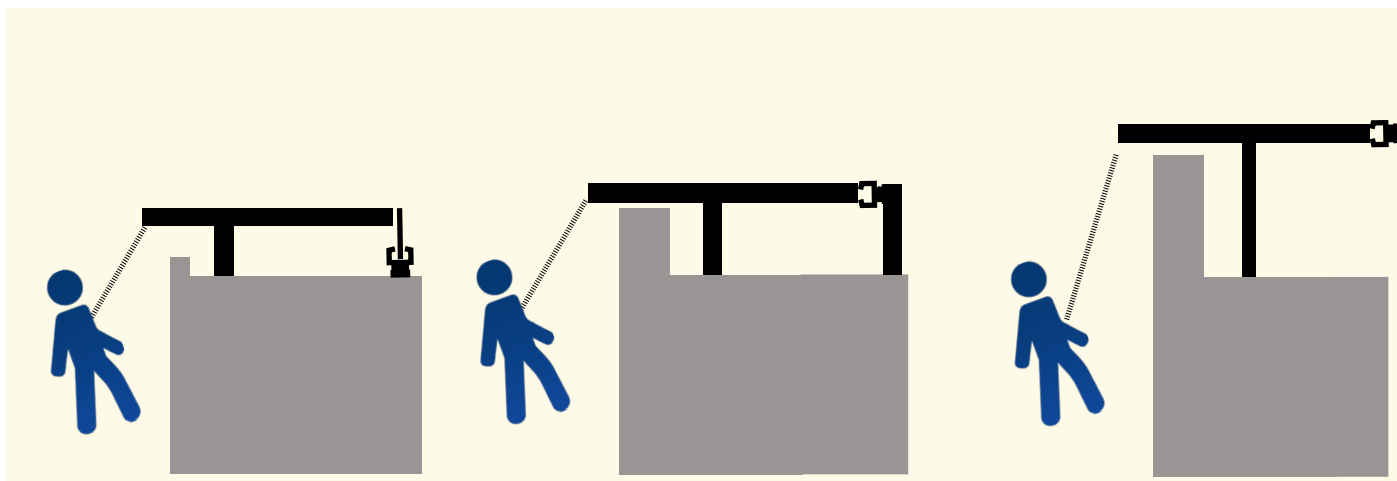
The system is most suitable for high-rise residential and hotel as well student

accomadation and office buildings.

The wheeled version requires either a membrane or paver roof finish, whilst the manual can be used with green and ballast

With 6m fixing centres the system can be lower cost than conventional davit sockets but with lower ongoing LOLER and cleaning or maintenace costs.

APPLICATIONS



FIXED TO THE DECK

FIXED TO A POST

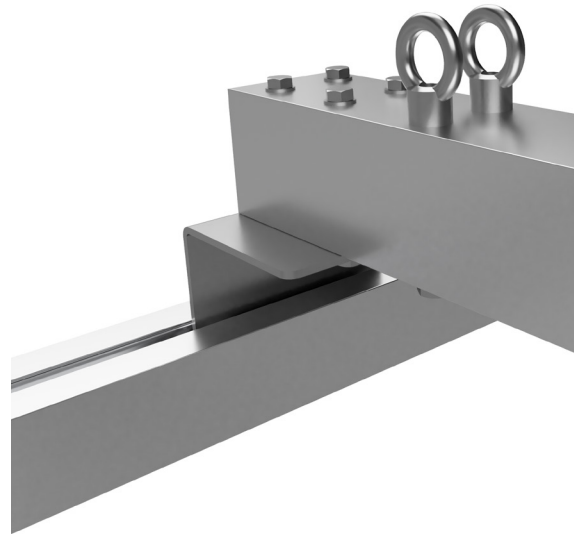
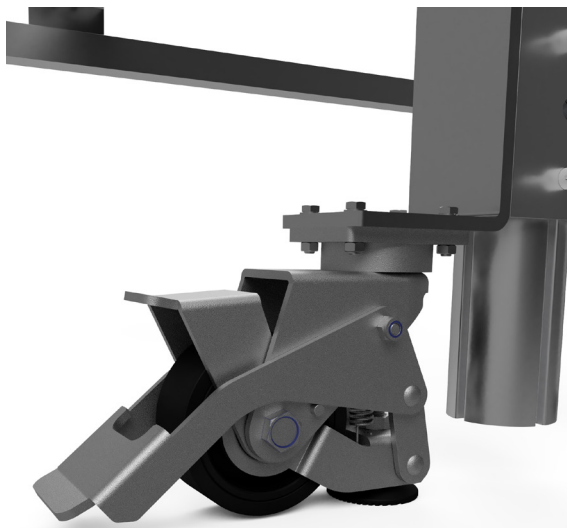
FIXED TO UC / PRIMARY STEEL

LINKED SYSTEMS

EDGESEIL RAIL

FULLSECURE TRACK

EDGESEIL DAVIT



“The versatility of the Sayfa abseil rail system was a key aspect of the product selection. The experience, knowledge and commitment of the team helped us achieve successful delivery of the project”

Design Manager, Hilton Curio London

DESIGN & INSPECTION

All systems should be designed and installed by an experienced contractor.

Typical details, BIM files and technical data sheets are available however project specific guidance can be provided too.

The factored forces can be as high as 15 - 27kN depending on the number of users for the system.

It is a legal requirement for these systems to be tested, maintained and certified annually.

This must be performed by a trained and competent individual at least once every 6 months or sooner if subject to adverse conditions or use.

Approved partners for the design, installation and retest works are available

on the Sayfa Group website.

These partners are trained by Sayfa Group and will help keep you compliant with detailed reporting and testing according to BS7883:2019 requirements.

Warranty Applications and Operating Manuals are also available from the Sayfa Group Web Site.



GET IN TOUCH

SAYFAGROUP.CO.UK

ENQUIRIES@SAYFAGROUP.CO.UK

UNIT B1 - RESEARCH POINT
SHEPSHED,
LEICESTERSHIRE,
LE12 9NH

+44 1509 509 273

